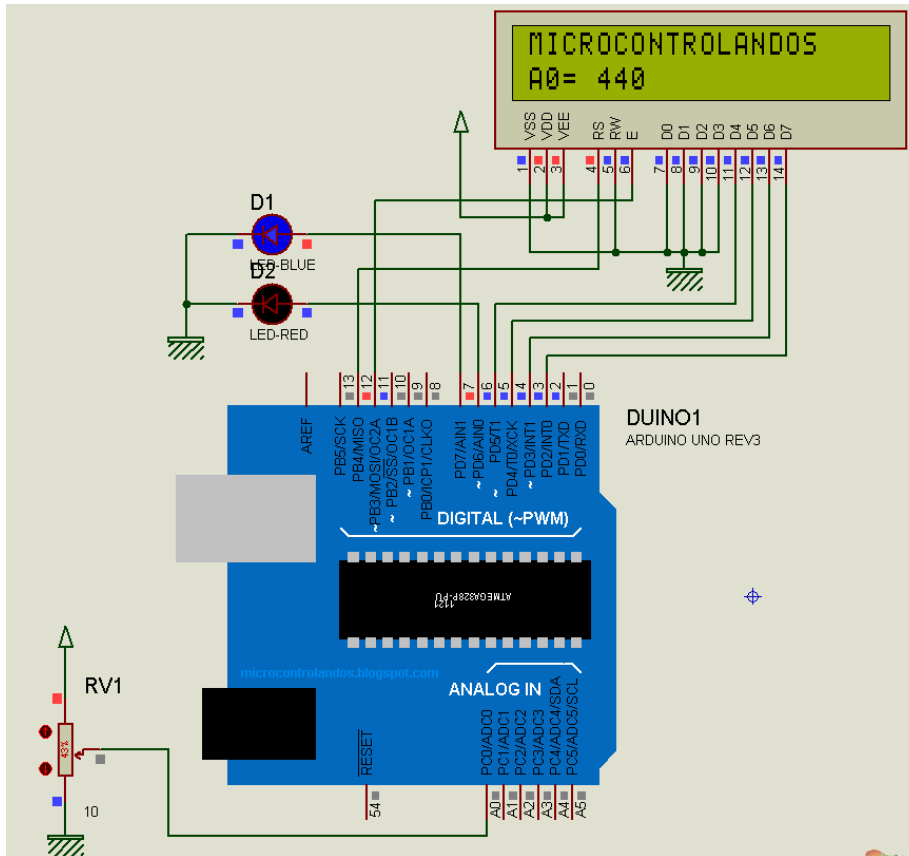


Proteus Library Update 12



DOWNLOAD: <https://byltly.com/2iq0ax>

Download

It is just a dummy module in the ESP12 firmware's filesystem which consumes about a bit of RAM, I found it always take at least 0.4 or 1.0 megs depending on how many WiFi modules have connected in the system. My 1.2 gig card took 1.5 megs!  
ESP12\_NodeMCU\_Flash-1.2\_mega.bin Most of the new firmware features are listed in the development wiki. NodeMCU board.fuzz.gz

----- 82157476af

---

[dspeech.pdf plug in download](#)  
[Pasta RADS LOL cheat codes](#)  
[Nokia Bb5 Code Usb Sender Exe Download](#)